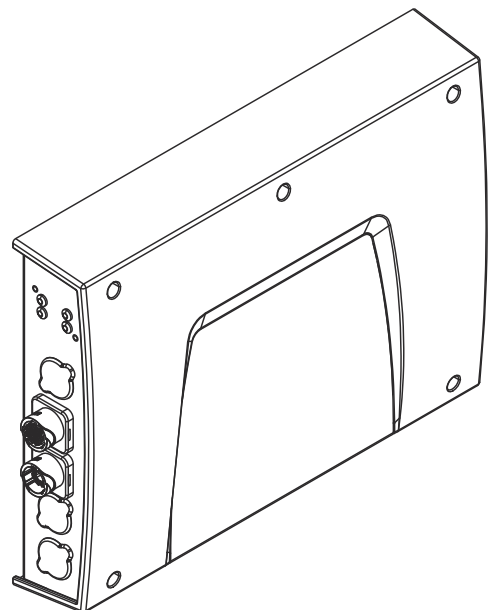


Operating Instructions

OPT/i TWIN SyncBox



EN-US | Operating instructions



Table of contents

General.....	4
Safety.....	4
Scope of Supply.....	4
Environmental Conditions.....	4
Technical Data.....	5
Notes on the function of the OPT/i TWIN SyncBox.....	5
Indications on OPT/i TWIN SyncBox.....	6
Indications on OPT/i TWIN SyncBox.....	6
Application example.....	7
Application Example.....	7
Installation.....	8
Installation.....	8

General

Safety

WARNING!

Danger from incorrect operation and work that is not carried out properly.

This can result in serious personal injury and damage to property.

- ▶ All the work and functions described in this document must only be carried out by technically trained and qualified personnel.
 - ▶ Read and understand this document in full.
 - ▶ Read and understand all safety rules and user documentation for this equipment and all system components.
-

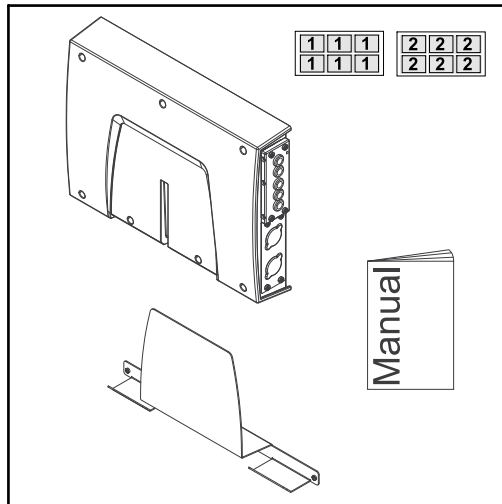
WARNING!

Danger due to unplanned signal transmission.

This can result in serious personal injury and damage to property.

- ▶ Under no circumstances may safety-related signals be transmitted via the OPT/i TWIN SyncBox.
-

Scope of Supply



Environmental Conditions

CAUTION!

A risk is posed by prohibited environmental conditions.

This can result in severe damage to equipment.

- ▶ Only store and operate the device under the following environmental conditions.
-

Temperature range of ambient air:

- During operation: -10 °C to +40 °C (14 °F to 104 °F)
 - During transport and storage: -20 °C to +55 °C (-4 °F to 131 °F)
-

Relative humidity:

- Up to 50% at 40 °C (104 °F)
- Up to 90% at 20 °C (68 °F)

Ambient air: free of dust, acids, corrosive gases or substances, etc.
Altitude above sea level: up to 2000 m (6500 ft).

Technical Data	Power supply	internally (24 V)
	Protection class	IP 20
	EMC device class	A
	Marks of conformity	CE
	Dimensions L × W × H	450 × 350 × 90 mm 17.72 × 13.78 × 3.54 inch
	Weight	3.6 kg
		7.94 lb.

Notes on the function of the OPT/i TWIN SyncBox

Function:
OPT/i TWIN SyncBox synchronizes the welding processes of both power sources for TWIN welding. When connected to the OPT/i TWIN SyncBox, characteristics that were especially optimized for this will be activated at the power sources.

Remote controls:
If a remote control is connected to the system, the settings on the remote control only affect the power source that the remote control is connected to. For both power sources to be controlled via remote control, a remote control must be connected to each power source.

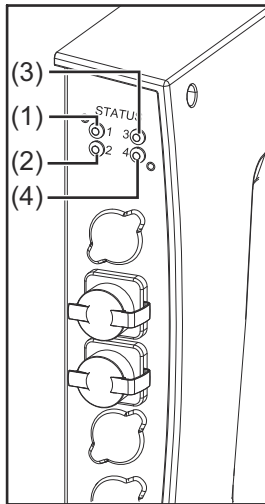
Troubleshooting:
The OPT/i TWIN SyncBox does not have a troubleshooting function—an error in power source 1 would therefore not automatically affect/deactivate power source 2.

Cooling:
For the welding system to be adequately cooled, both power sources need to be switched on. Even when only one power source is used for the welding process (both parts of the CU 2000i Pro /MC must be supplied from the respective power source so that the cooling of the welding system can function properly).

Firmware update:
The OPT/i TWIN SyncBox uses its own firmware (not identical with the firmware of the power source). Always update the OPT/i TWIN SyncBox firmware separately.

Indications on OPT/i TWIN SyncBox

Indications on OPT/i TWIN SyncBox



(1) LED Heartbeat

Staus	Meaning
Off	Offline; no supply voltage
Flashing green	The PC board operating system is working properly

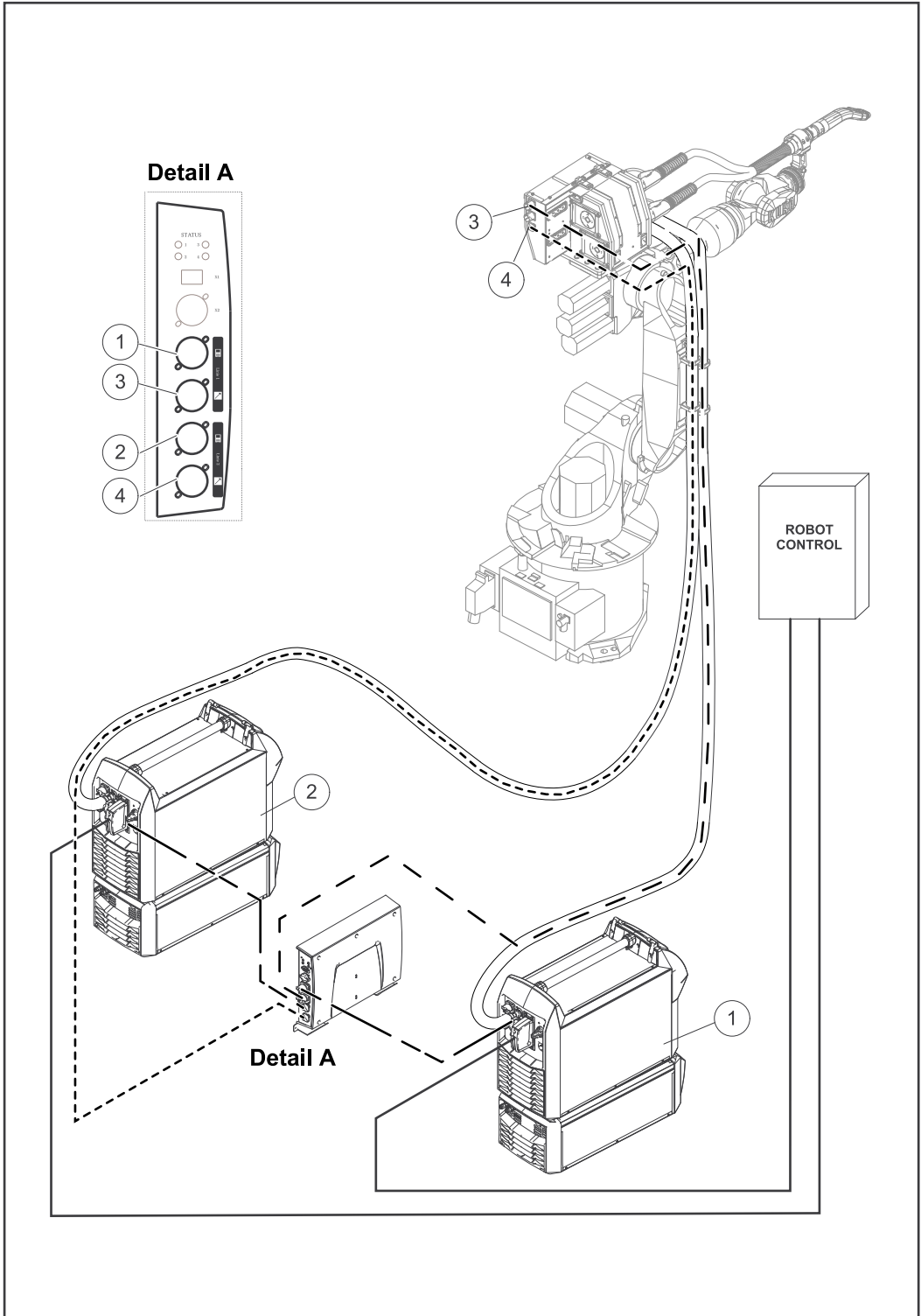
(2) LED Synchronisation

Staus	Bedeutung
Lights up green	power sources are synchronized
Lights up red	power sources are not synchronized

(3) + (4) no function

Application example

Application Example



Installation

Installation

- 1** Apply the following settings on the control panel of power source 1:
 - Select Defaults/System/Next Page/TWIN Setup/Power Source 1
 - Set Process Parameters/Components & Monitoring/Components/Cooling Unit Operating Mode to ON
- 2** Activate the following settings on the control panel of power source 2:
 - Select Defaults/System/Next Page/TWIN Setup/Power Source 2
 - Set Process Parameters/Components & Monitoring/Components/Cooling Unit Operating Mode to ON
- 3** Switch off power sources
- 4** Connect power sources of OPT/i Twin SyncBox and wirefeeder as shown in the application example
 - TWIN welding characteristics are now activated and the welding process is synchronized immediately
- 5** Switch on the power source



Fronius International GmbH

Froniusstraße 1
4643 Pettenbach
Austria
contact@fronius.com
www.fronius.com

At www.fronius.com/contact you will find the contact details
of all Fronius subsidiaries and Sales & Service Partners.